

EVENT-BROTHER(FOSHAN)STAGING EQUIPMENT MANUFACTURING CO.,LTD
GUANGXI EVENT-BROTHER STAGING PRODUCTIONS CO.,LTD.

Floor1, Building 21, JinFuYing Industrial Park, No.202 LuoWu Road, Nanhai District, Foshan, GD Province, China

Tel:0086-15015566378 Email:info@event-brother.com

www.event-brother.com

1. Putting 4 adjustable bases in its place;



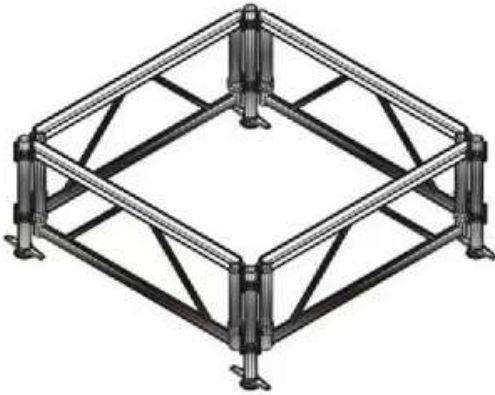
2. Sleeving the bases into pillars and then attach the brace between 2 pillars



3. Attaching the second braces to the pillar in 90° angle, then install the second/third pillar;



4. Repeat the STEP 3 until you form the frame with 4 legs and frames;



5. Laying the stage platform into the frame;



6. Sleeve the adjusting cup and finishing the installation.



Mobile Phone Version

