

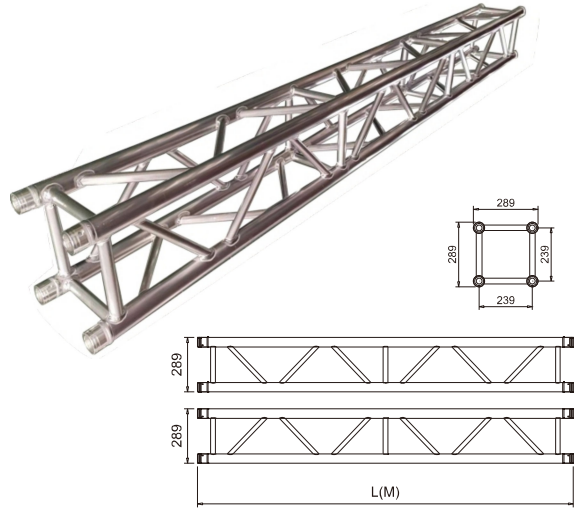
TS-300B TS Series Small Size Spigot Bolt SQUARE TRUSS

Product Description and Specification

Model NO: TS-300B

Size(mm)	290x290
Material	6082-T6 / 6061-T6
Main Tube(mm)	50x3
Brace Tube	30x2
Vice Tube	25x2
Connectors Included	4 x Conical, 8 x Spigot Pins, R Clips

Length/Pcs(M)	SKU CODE	CBM/Piece
0.5	TS-300B(3)x0.5	0.045
1	TS-300B(3)x1	0.09
1.5	TS-300B(3)x1.5	0.135
2	TS-300B(3)x2	0.18
2.5	TS-300B(3)x2.5	0.225
3	TS-300B(3)x3	0.27



Loading Capacity Spec.	6m	7m	8m	9m	10m	11m	12m	13m	14m
Central Point Load Weight(Kgs)	876	746	649	571	508	457	413	376	343
Deflection(mm)	17	28	39	52	65	78	93	105	119
Distributed Load Weight (kgs/m)	296	215	164	128	103	84	70	58	50
Deflection(mm)	30	40	52	65	80	95	110	141	161

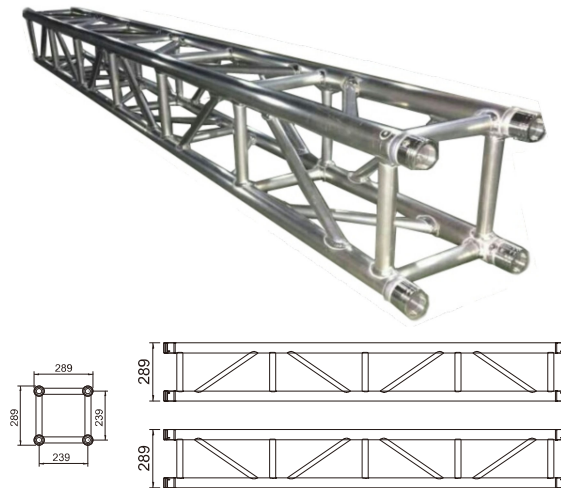
TS-300P TS Series Small Size Spigot Bolt SQUARE TRUSS

Product Description and Specification

Model NO: TS-300

Size(mm)	290x290
Material	6082-T6 / 6061-T6
Main Tube(mm)	50x3
Brace Tube	30x2
Vice Tube	25x2
Connectors Included	4 x Conical, 8 x Spigot Pins, R Clips

Length/Pcs(M)	SKU CODE	CBM/Piece
0.5	TS-300P(3)x0.5	0.045
1	TS-300P(3)x1	0.09
1.5	TS-300P(3)x1.5	0.135
2	TS-300P(3)x2	0.18
2.5	TS-300P(3)x2.5	0.225
3	TS-300P(3)x3	0.27



Loading Capacity Spec.	6m	7m	8m	9m	10m	11m	12m	13m	14m
Central Point Load Weight(Kgs)	430	410	392	374	360	345	332	319	308
Deflection(mm)	7.5	11.2	16	21	28.3	35	45	55	67
Distributed Load Weight (kgs/m)	325	236	181	142	114	94	78	66	56
Deflection(mm)	21	28	37	46	57	38	81	94	107