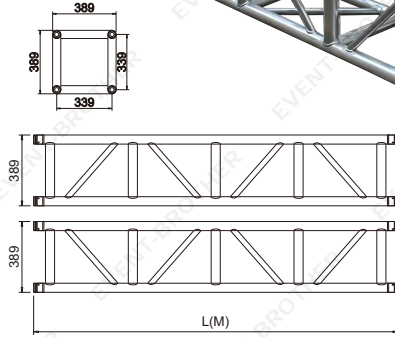


TS-400A TS Series Medium Size Spigot Bolt SQUARE TRUSS

Model NO: TS-400A

Size(mm)	389x389
Material	6082-T6 / 6061-T6
Main Tube(mm)	50x3
Brace Tube	50x2
Vice Tube	25x2
Connectors Included	4 x Conical, 8 x Spigot Pins , R Clips

Length/Pcs(M)	SKU CODE	CBM/Piece
0.5	TS-400A(3)x0.5	0.08
1	TS-400A(3)x1	0.16
1.5	TS-400A(3)x1.5	0.24
2	TS-400A(3)x2	0.32
2.5	TS-400A(3)x2.5	0.4
3	TS-400A(3)x3	0.48



Loading Capacity Spec.	8m	9m	10m	11m	12m	13m	14m	15m	16m	17m	18m
Central Point Load Weight(Kgs)	560	537	515	493	476	459	443	428	413	401	388
Deflection(mm)	16	21	28	36	44	54	66	78	92	106	123
Distributed Load Weight (kgs/m)	260	207	166	135	113	95	81	69	60	52	46
Deflection(mm)	35	46	55	66	79	90	105	118	133	147	162

TS-400S TS Series Medium Size Spigot Bolt SQUARE TRUSS

Model NO: TS-400S

Size(mm)	389x389
Material	6082-T6 / 6061-T6
Main Tube(mm)	50x3
Vice Tube	30x2
Brace Tube	25x2
Connectors Included	4 x Conical, 8 x Spigot Pins , R Clips

Length/Pcs(M)	SKU CODE	CBM/Piece
0.5	TS-400S(3)x0.5	0.08
1	TS-400S(3)x1	0.16
1.5	TS-400S(3)x1.5	0.24
2	TS-400S(3)x2	0.32
2.5	TS-400S(3)x2.5	0.4
3	TS-400S(3)x3	0.48



Loading Capacity Spec.	8m	9m	10m	11m	12m	13m	14m	15m	16m	17m	18m
Central Point Load Weight(Kgs)	560	537	515	493	476	459	443	428	413	401	388
Deflection(mm)	16	21	28	36	44	54	66	78	92	106	123
Distributed Load Weight (kgs/m)	260	207	166	135	113	95	81	69	60	52	46
Deflection(mm)	35	46	55	66	79	90	105	118	133	147	162