

HD-300 HD Series Heavy Duty Bolt&Nut Screw SQUARE TRUSS

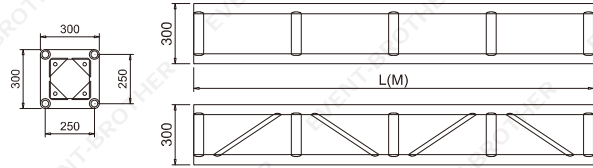
Product Description and Specification

Model NO: HD-300

Size(mm)	390x390
Material	6082-T6 / 6061-T6
Main Tube(mm)	50x3
Vice Tube(mm)	50x2
Brace Tube(mm)	25x2
Connectors Included	M16 Screw Bolt & Nut Included



Length/Pcs(M)	SKU CODE	CBM/Piece
0.5	HD-300(3)x0.5	0.45
1	HD-300(3)x1	0.09
1.5	HD-300(3)x1.5	0.135
2	HD-300(3)x2	0.18
2.5	HD-300(3)x2.5	0.225
3	HD-300(3)x3	0.27



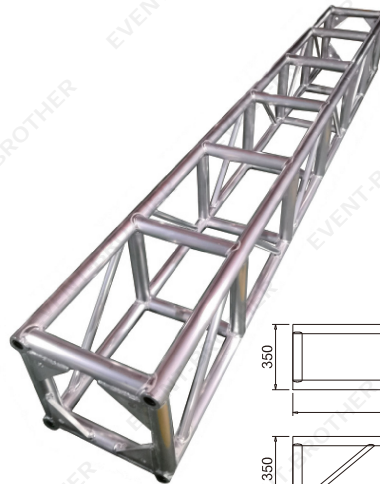
Loading Capacity Spec.	2m	4m	6m	8m	10m	12m
Central Point Load Weight(Kgs)	1250	912	541	420	215	106
Deflection(mm)	17	55	87	92	115	138
Distributed Load Weight (kgs/m)	1055	330	150	92	60	36
Deflection(mm)	19	48	66	102	139	148

HD-350 HD Series Heavy Duty Bolt&Nut Screw SQUARE TRUSS

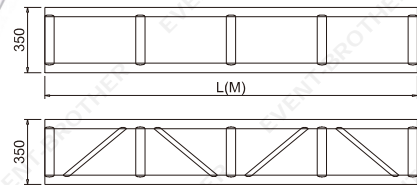
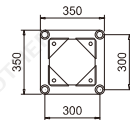
Product Description and Specification

Model NO: HD-350

Size(mm)	390x390
Material	6082-T6 / 6061-T6
Main Tube(mm)	50x3
Vice Tube(mm)	50x2
Brace Tube(mm)	25x2
Connectors Included	M16 Screw Bolt & Nut Included



Length/Pcs(M)	SKU CODE	CBM/Piece
0.5	HD-350(3)x0.5	0.06
1	HD-350(3)x1	0.12
1.5	HD-350(3)x1.5	0.18
2	HD-350(3)x2	0.25
2.5	HD-350(3)x2.5	0.3
3	HD-350(3)x3	0.37



Loading Capacity Spec.	2m	4m	6m	8m	10m	12m	14m	16m
Central Point Load Weight(Kgs)	2500	2066	1807	1486	1271	1010	792	618
Deflection(mm)	2.3	7.6	11.2	22	29	40.5	55	72
Distributed Load Weight (kgs/m)	1189	530	282	142	95	63	43	30
Deflection(mm)	3.7	8.6	14.6	22	31	36.2	55	67